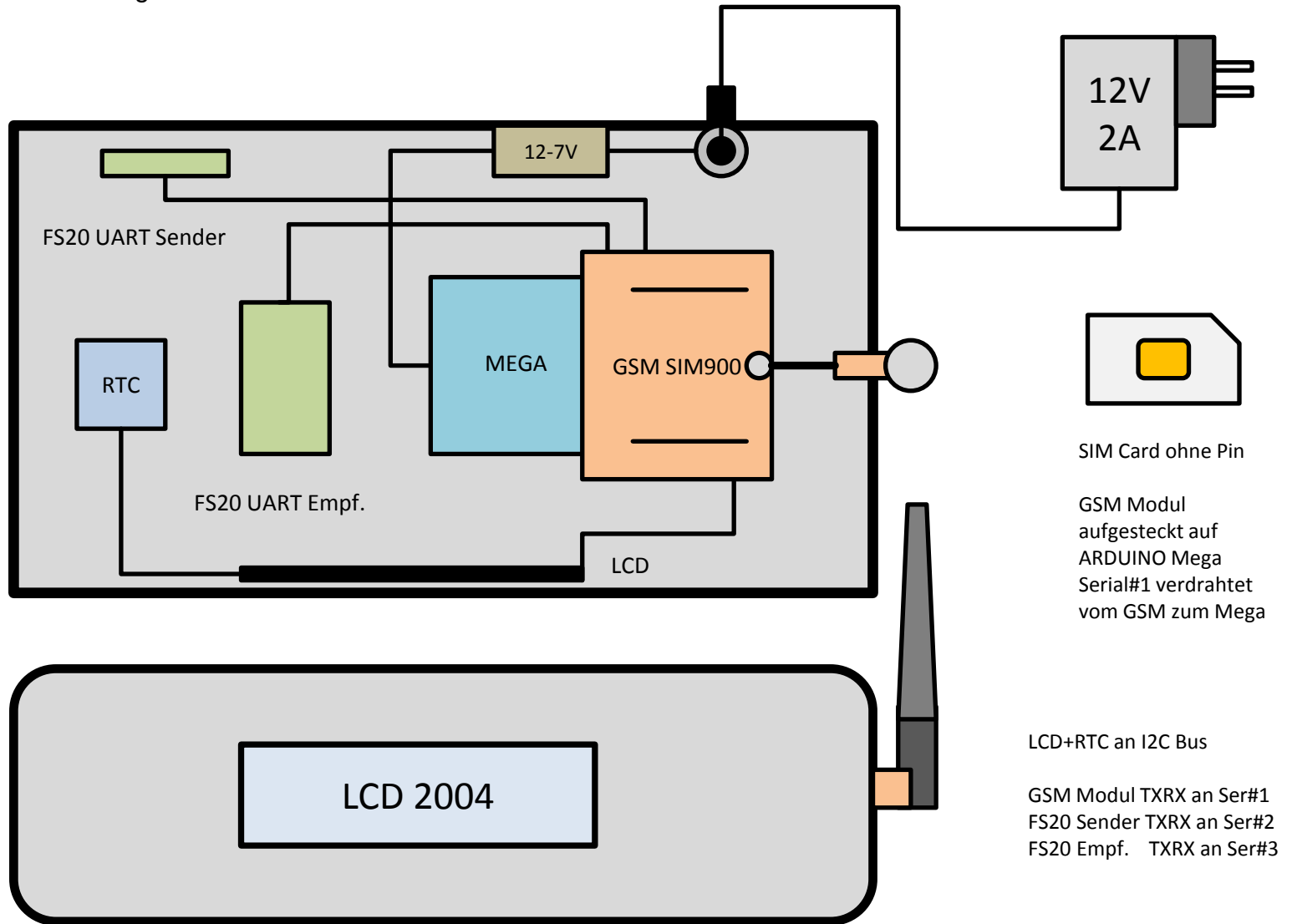


# XS1-SMS-Manager



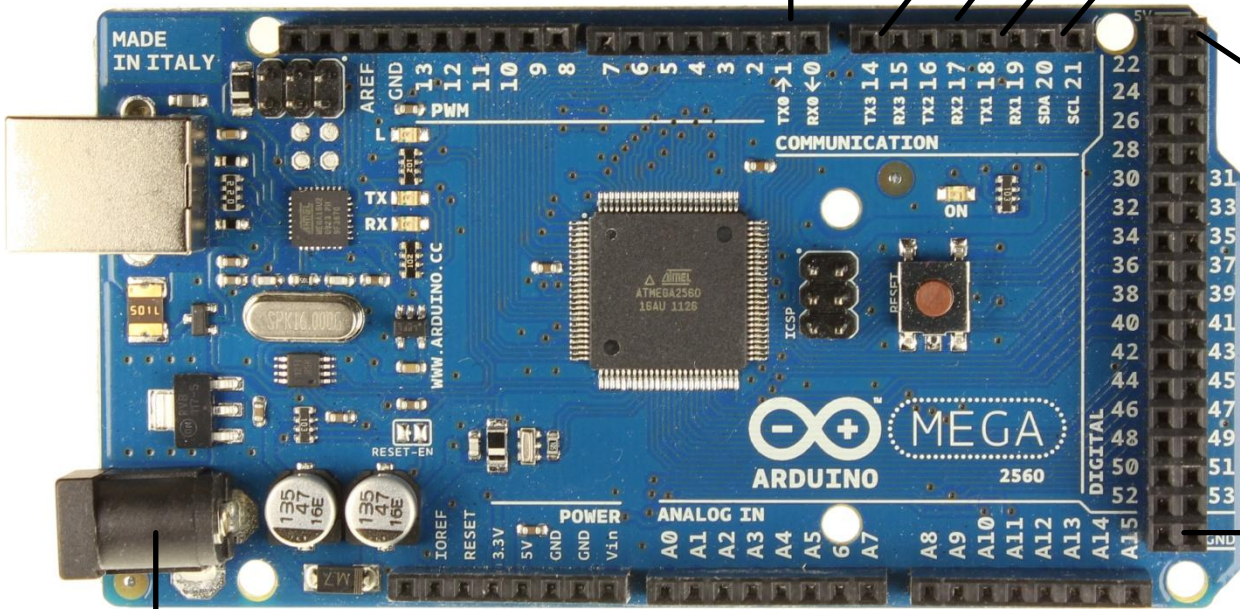
Gehäuse Serie ELV 7000, LCD 2004 – ebay, RTC DS1307 – ebay, GSM SIM900 – ebay, FS20 Sender – ELV, FS20 Empf. – ELV

# XS1-SMS-Manager

Debug Monitor

RX3/TX3  
RX2/TX2  
RX1/TX1  
I2C Bus

FS20 UART Empf.  
FS20 UART Sender  
GSM-Modul  
LCD 2004 + RTC



7V intern  
DC-DC 12V-7V max.2A

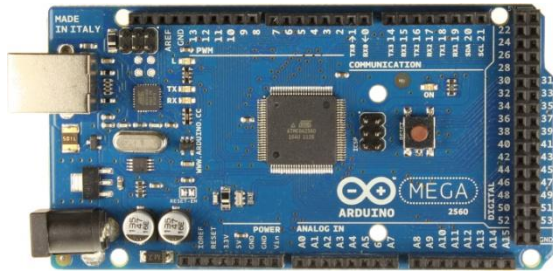
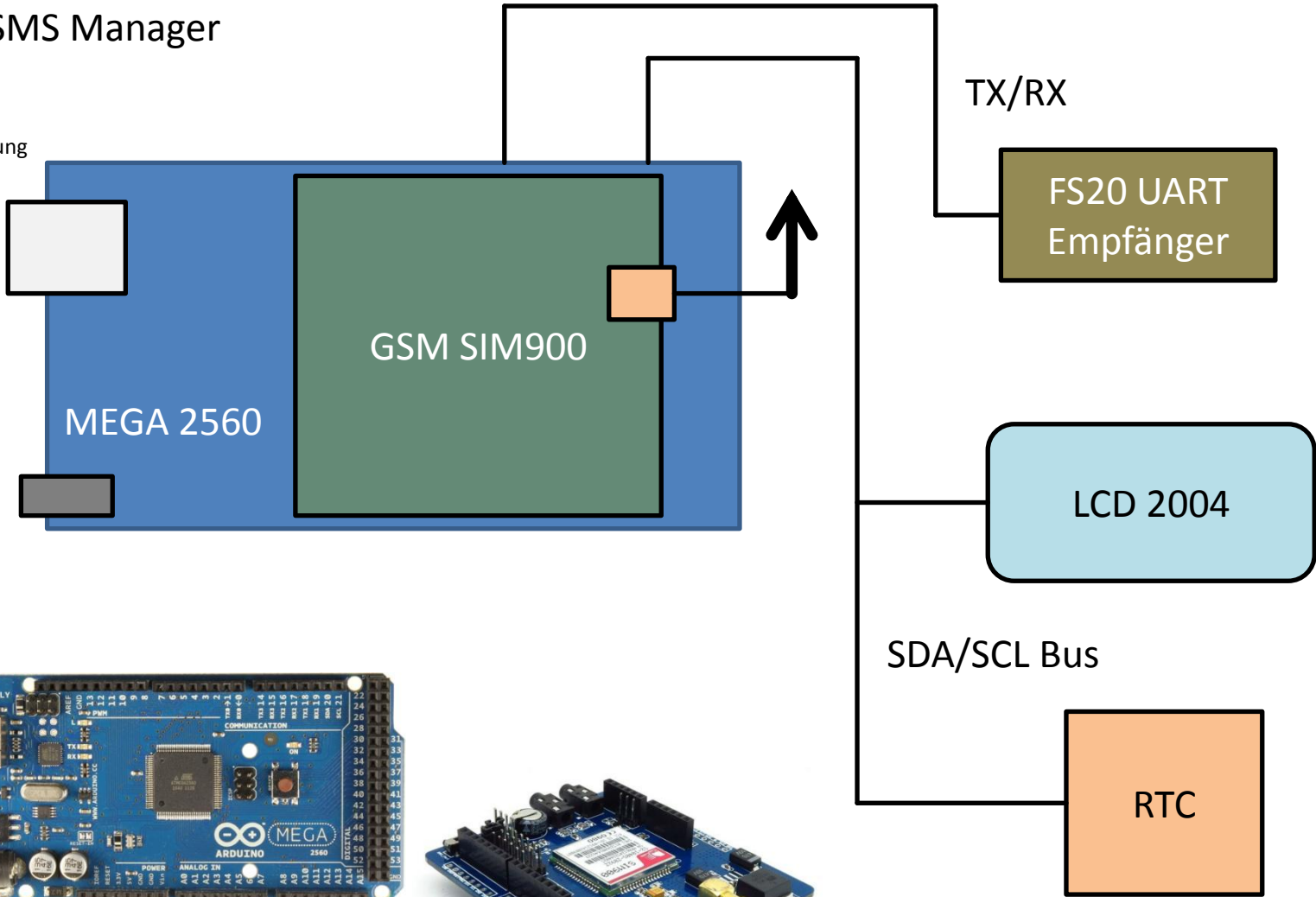
0V +5V

LCD + RTC  
FS20 Sender  
FS20 Empf

# XS1 - SMS Manager

Programmierung  
per USB

6-8V



Arduino Mega + GSM SIM900